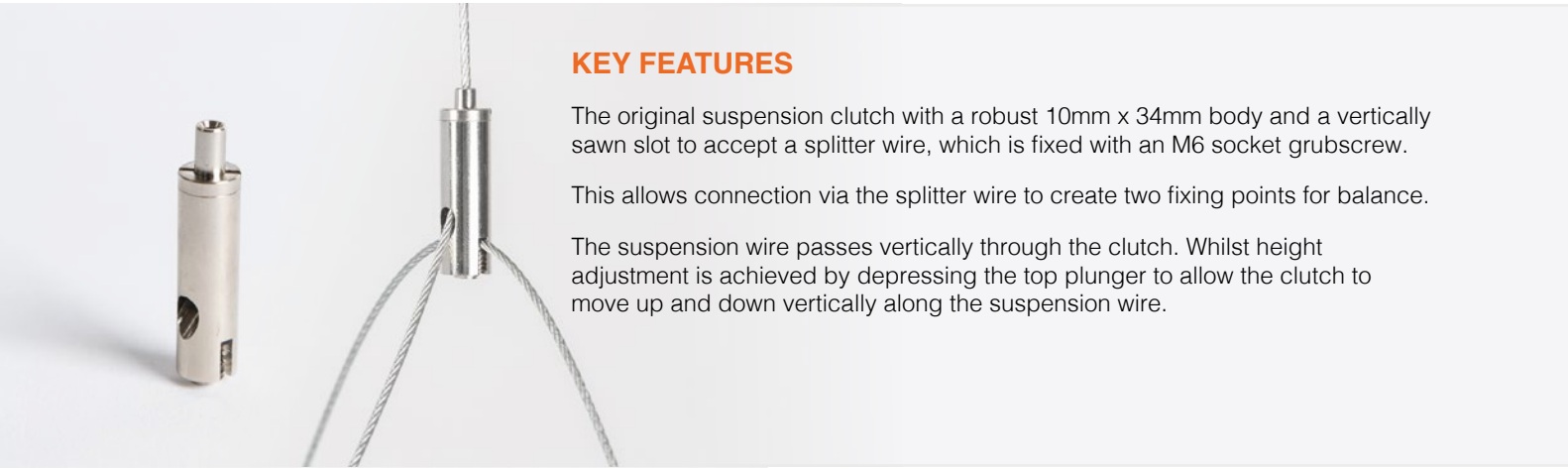


# GENERAL SUSPENSION CLUTCH



299531006408



## KEY FEATURES

The original suspension clutch with a robust 10mm x 34mm body and a vertically sawn slot to accept a splitter wire, which is fixed with an M6 socket grub screw.

This allows connection via the splitter wire to create two fixing points for balance.

The suspension wire passes vertically through the clutch. Whilst height adjustment is achieved by depressing the top plunger to allow the clutch to move up and down vertically along the suspension wire.



Safe working load is 18 kilos maximum



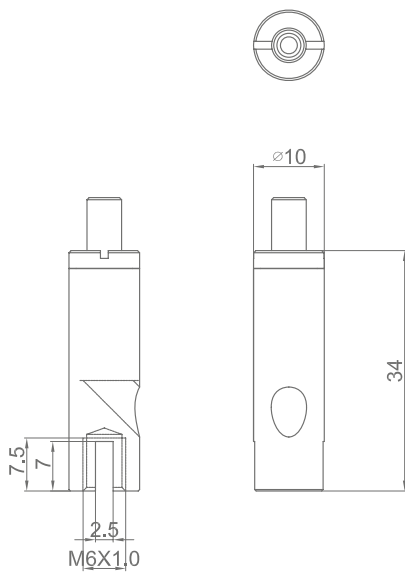
High quality brass, satin nickel finish



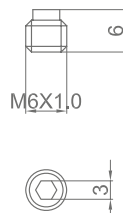
For use with 1.5mm galvanised wire



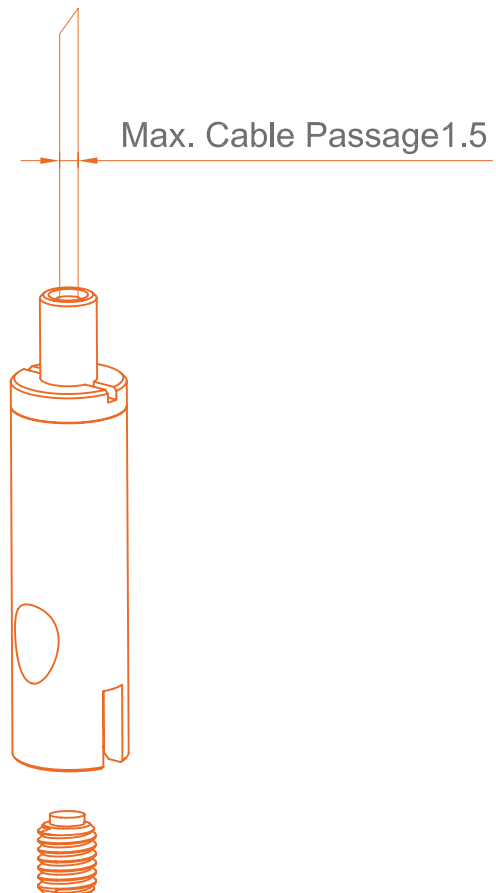
Suitable for splitter wires



# A



# B



Max. Cable Passage 1.5

T: 01527 502211  
F: 01527 502277

sales@in2components.com  
www.in2components.com

82 Arthur Street, Lakeside, Redditch, B98 8JY